

Technology : **ETON (compression)**

Characteristics : **Polycarbonate. Flame retardant. Dry.**

Conductors : **2**

Maximum insulation O.D. : **1.70 mm = 0.066 inch**

Conductors diam. : (1) **0.4 to 0.6 mm = 26 to 24 AWG** - (2) **0.35 to 0.9 mm = 27 to 19 AWG**

Conductors diam. pulpe or paper insulation : (3) **0.4 to 0.6 mm = 26 to 24 AWG** - (4) **0.35 to 0.9 mm = 27 to 19 AWG**

Contact resistance - standard NFC 93050-7A : **typical < 0.5 milliOhm - max (standard) 5 milliOhms**

Contact resistance - variation R : **typical < 0.3 milliOhm - max (standard) 2 milliOhms**

Dielectric strength (50Hz) : **> 3000 Volts**

Insulation resistance (standard NFC 93050-1) : **at 40°C (10 days) : > 10<sup>11</sup> Ohms**

Operating temperature range, standard : **-30°C to +100°C**

Maximum current (constant) : **3 Amperes**

Surge arrest capacity : **15 KA (20 microsecondes) (diam. 0.8 mm)**

Vibrations (BS 2011) : **2 hours / 3 axis (10-150Hz)**

Conductor tensile strength : **≥ 85 % of elongation (Cu), ≥ 50 % of elongation (Al)**

Conductor rotation (5 cycles 180°C) : **variation R < 0.5 milliOhm**

**Hydrogen sulfide-tight (H<sub>2</sub>S)**

Pressure of closing : **> 5 daN**

Crimping range : **-30°C to +100°C**

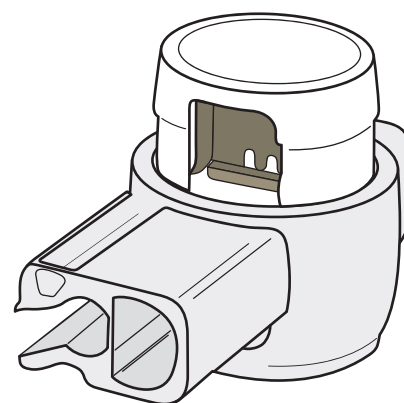
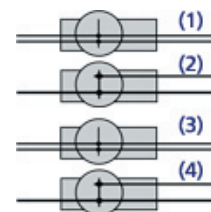
Outside using : **No**

ADSL performances : **> 50 Mbits**

Crimping tool : **Plier ETON 9 or equivalent**

Packing : **Blister A (100 units) or box C (500 units)**

For Gel-filled model : **ETON 23G**



**ETON 23GA**