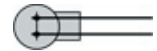


Technology : Fork «U»

Characteristics : Polycarbonate. Flame retardant. Gel-filled.

Conductors : 2



Maximum insulation O.D. : 1.63 mm = 0.064 inch

Conductors diam. : 0.4 to 0.6 mm = 26 to 24 AWG

Conductors diam. pulpe or paper insulation : 0.4 to 0.6 mm = 26 to 24 AWG

Contact resistance - standard NFC 93050-7A : typical < 1 milliOhm - max (standard) 5 milliOhms

Contact resistance - variation R : typical < 1 milliOhm - max (standard) 2 milliOhms

Dielectric strength (50Hz) : > 3000 Volts

Insulation resistance (standard NFC 93050-1) : under water (5 days) : > 10¹¹ Ohms - at 40°C (10 days) : > 10¹¹ Ohms

Operating temperature range : -30°C to +85°C

Maximum current (constant) : 1 Ampere

Surge arrest capacity : 8 KA (20 microsecondes) (diam. 0.6 mm) - 3.5 KA (20 microsecondes) (diam. 0.4 mm)

Vibrations (BS 2011) : 2 hours / 3 axis (10-150Hz)

Conductor tensile strength : ≥ 85 % of elongation (Cu), ≥ 50 % of elongation (Al)

Conductor rotation (5 cycles 180°C) : variation R < 1 milliOhm

Water-tight, hydrogen sulfide-tight (H₂S)

Pressure of closing : > 5 daN

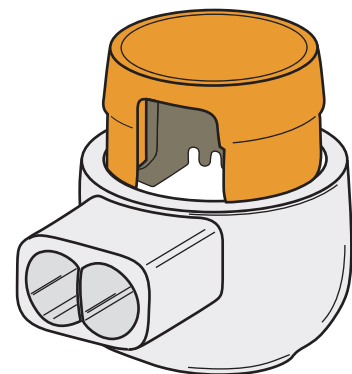
Crimping range : -30°C to +85°C

Outside using : Water-tight 5 days

Crimping tool : Plier ETON 9 or equivalent

Packing : Blister A (100 units), box B (500 units) or C (1000 units)

For dry model : ETON 23UYA



ETON 23UY